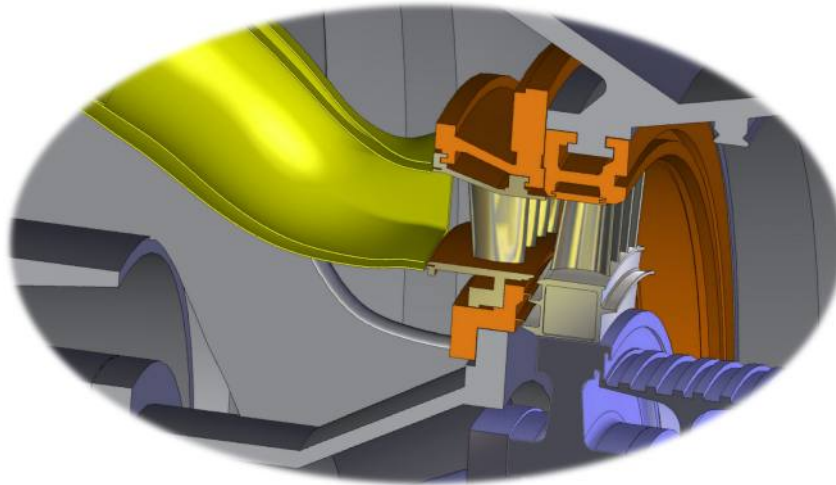


An Engineering Team That Works for *YOUR GOALS*



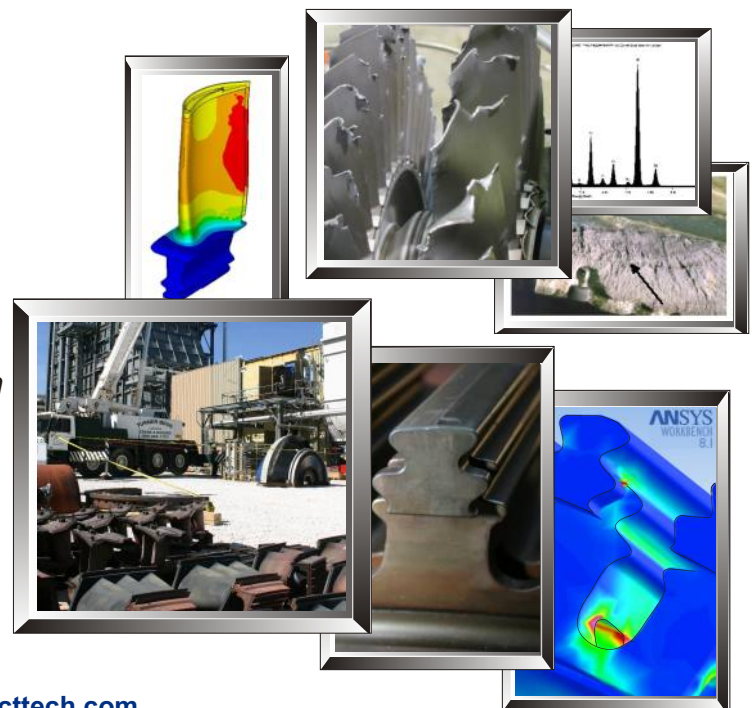
Would you like Engineering service from a company that understands gas turbines *and* cares about your maintenance goals? Than AccTTech would like to serve you.

Engineering Services A Core Strength

Combustion Turbines are a technology product. Understanding the engineering is the difference between success and costly failures. AccTTech provides experienced engineers to assist utilities in finding practical solutions to power plant problems.

Why not work directly with the experts that others come to?

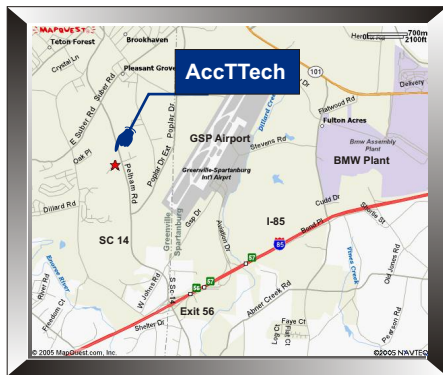
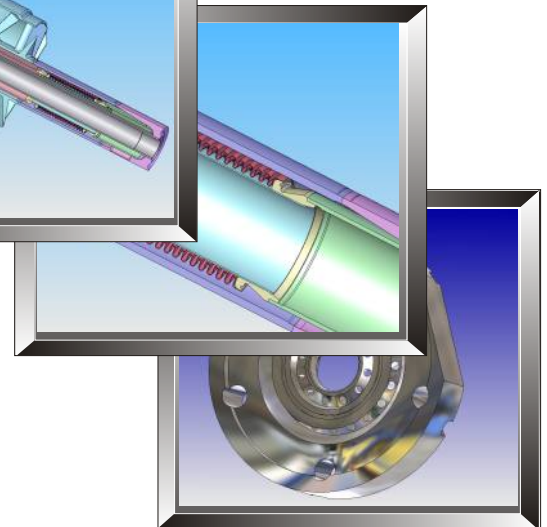
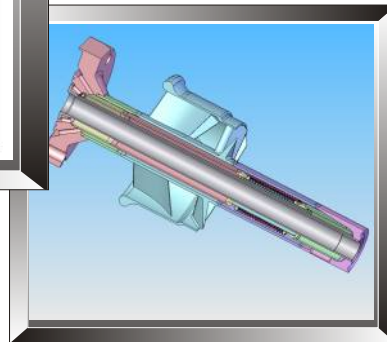
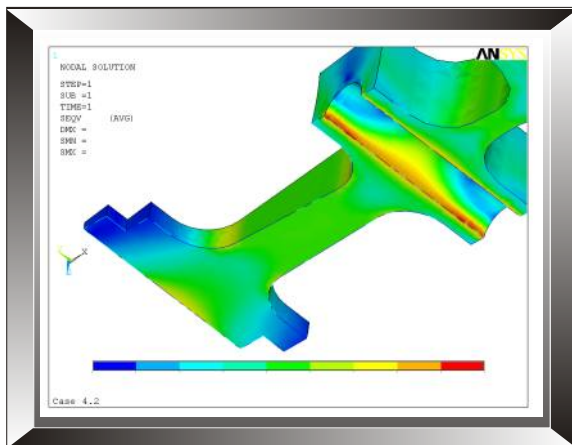
- ✓ **Failure Analysis and RCA**
Solutions thru engineering knowledge
- ✓ **Outage Support**
Onsite Condition Assessment & Engineering
- ✓ **Warranty Claim Support**
The largest awards go to the best prepared
- ✓ **Life Extension Analysis**
Predictable component life management
- ✓ **Repair Analysis / Component Redesign**
Maximize your repair dollars
- ✓ **Reverse Engineering / CMM**
3D CAD from shop and field CMM inspection
- ✓ **Vendor Quality Support**
Client Audit Representation



AccTech is located just outside Greenville, SC. We have an experienced engineering and manufacturing team to help solve your maintenance problems. Our approach is to work closely with the customer to insure that the solution fits your maintenance goals.

We perform advanced engineering analysis using state-of-the-art methods including ANSYS and 3D CAD. We perform detailed metallurgy investigation. We inspect hardware using a variety of NDT methods, gaging and CMM. These tools, in combination with our practical engineering experience provides unique solutions to industrial gas turbine problems. We use these methods in supporting evaluation of failure investigations, repair engineering / product redesign, life extension analyses and reverse engineering.

Our staff consists of experienced engineers in the fields of turbine design, metallurgy, manufacturing and repair engineering. We have on staff a former GE Chief Engineer and others with industrial gas turbine and aircraft engine experience.



AccTech, LLC
151 Tandem Drive, Greer, SC 29650 USA
phone: 864-848-1602 fax: 864-848-1604
info@acctech.com www.acctech.com